

## GENERAL WARNINGS

### **⚠ DANGER OF BODILY INJURY!**

Do not use in the presence of children or animals. Store out of reach of children and animals.

### **⚠ RISK OF ELECTRIC SHOCK!**

This unit contains electronic parts that are powered by a power source (AC adapter or batteries). Follow the instructions carefully and do not attempt to power this device with anything other than power sources recommended in this instruction manual, otherwise there is a DANGER of an ELECTRIC SHOCK!

The glass body of a lamp can shatter when it reaches the end of its service life. In this case, immediately disconnect the device from the power source (pull out the mains plug). Even after disconnecting the mains plug, there is a risk of electric shock due to residual charge!

Never bend, squeeze or pull power cables, connecting cables, extensions or connectors. Protect cables from sharp edges and heat. Check this device, cables and connections for damage before use. Never attempt to operate a damaged device, or a device with damaged electrical parts! Damaged parts must be replaced immediately by an authorized service agent.

Operate the device only in a completely dry environment and do not touch the device with wet or damp body parts.

### **⚠ DANGER OF BLEND!**

Make sure that people and animals do not look into the light. The high luminosity can blind the eyes and cause afterimages. This impairment of vision can lead to accidents.

### **⚠ FIRE/EXPLOSION HAZARD!**

Always place the device in such a way that it cannot tip over and ensure that it is stored in a reasonably safe place.

- Keep children and animals away from the device! You could knock the device over.
- Make sure that no one can trip over connection cables of the device. The device could be knocked over.
- Do not expose the device to high temperatures. Use only the supplied AC adapter. Do not short-circuit the device or batteries or dispose of in fire! Excessive heat and improper handling can cause short circuits, fires and even explosions!

### **! IMPORTANT NOTE!**

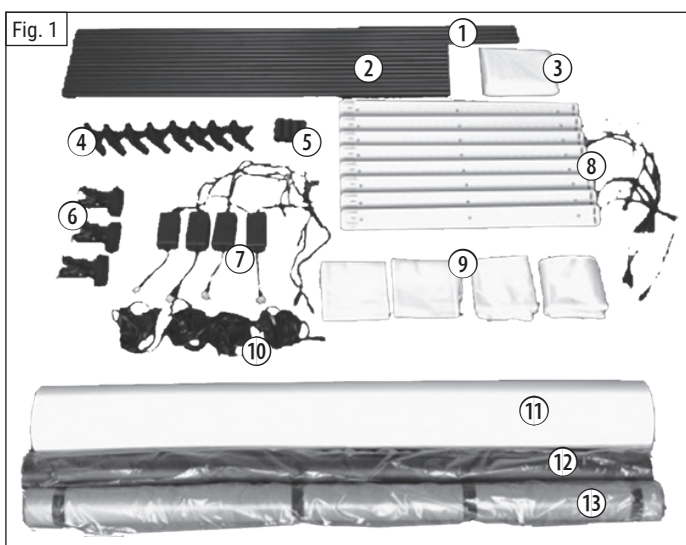
Do not disassemble the device! In the event of a defect, please contact your dealer. They will contact the Service Center and can arrange the return of this device for repair if necessary.

Disconnect the power supply by pulling the mains plug when the appliance is not in use, in case of a longer interruption of operation and before any maintenance and cleaning work.

Place your device so that it can be disconnected from the power supply at any time. The power outlet should always be near your appliance and should be easily accessible, as the plug of the power cord serves as a disconnect device from the mains supply.

To disconnect the unit from the mains, always pull the mains plug and never pull the cable!

Do not subject the device to excessive vibrations.



## SCOPE OF DELIVERY (FIG. 1)

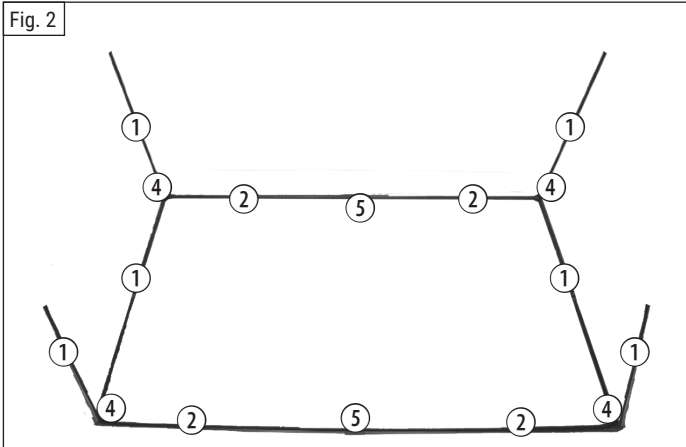
- ❶ Long rods, 120cm (4x) ❷ Short rods, 100cm (12x) ❸ Large diffusion blanket (1x) ❹ Corner pieces (8x) ❺ Connecting pieces (4x)
- ❻ Background clips (3x) ❼ Power adapter (4x)
- ❽ LED lights w. Connection cable (4x) ❾ Diffusion blanket for lights (4x)
- ❿ Power cable w. switch (4x) ⓫ Background paper (1x)
- ⓬ Black cover (1x) ⓭ Blue cover (1x)

## GENERAL ASSEMBLY INSTRUCTIONS

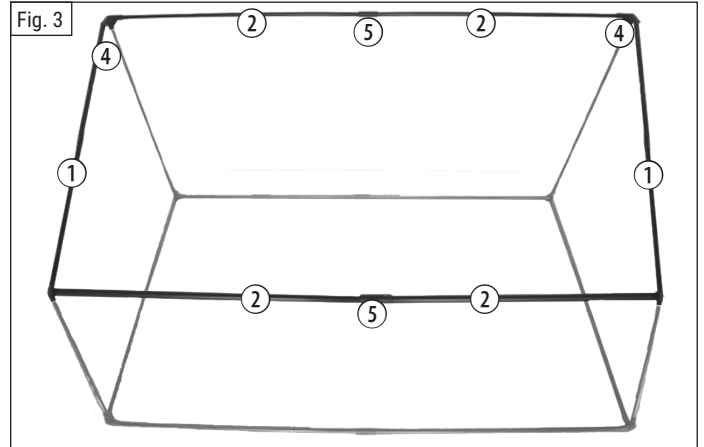
Before assembly, remove all accessories from the package and lay them out on a level surface.

Press the poles firmly into the corner pieces and connecting pieces during assembly so that the cover later easier can be slipped over the frame!

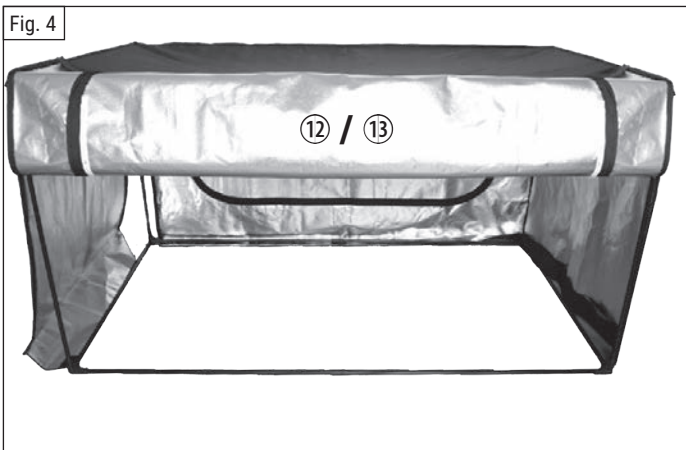
# MOUNTING (Fig. 2-11)



**Step 1:** Assemble the lower frame as shown. Assemble the vertical rods in the corners of the lower frame.



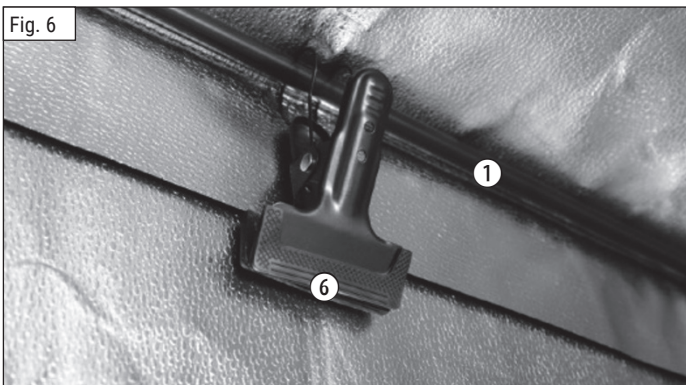
**Step 2:** Assemble the upper frame as shown and place it on the vertical bars of the lower frame.



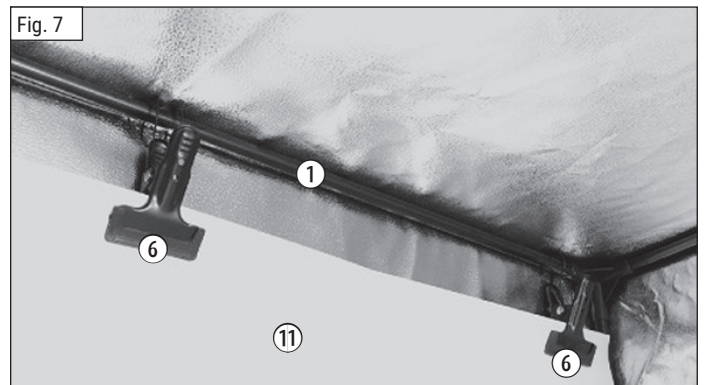
**Step 3:** Open the straight zippers of the tent canvas so that it can be pulled over the frame more easily.



**Step 4:** Close the straight zippers again. Raise the photo tent.



**Step 5:** Hook the background clips to the back top tent pole as shown.



**Step 6:** Attach the background paper to the background clips.



**Step 7:**  
Attach the magnetic LED lights to the tent poles in the corners at a 45 degree angle. Depending on the motif, the luminaires can be moved individually.

**TIP:**  
2 lamps per pole provide all-round lighting.



**Step 8: (optional)**  
Attach the diffusion cloths with hooks to the rods in front of the LED lights.

**TIP:**  
The diffusion cloths create a softer, more even light.



**Step 9:**  
**Lead the connection cables of the lights through the holes in the tent canvas to the outside. Connect the connection cables to the mains adapters. Connect the power cables to the power adapters.**



**Step 10: (optional)**  
Attach the large diffusion cloth to the front (large opening) with Velcro.

## COMMISSIONING

1. Insert the Euro plug of the mains cable into the socket.
2. Switch on the lights using the switch on the mains cable.



## WARRANTY



[www.bresser.de/warranty\\_terms](http://www.bresser.de/warranty_terms)

## Contact

---

Bresser GmbH  
Gutenbergstr. 2  
46414 Rhede - Germany

 @BresserEurope

